

topflo®



**CTV VERTICAL PUMPS**

# your reliable pumpchoice

With experience from industrial fluid handling and pump manufacture since 1970, we know what you as a customer require from an industrial pump. Ever since we started our manufacture of air operated diaphragm pumps, we have always had our winning concept in mind: to create pumps for reliable duty and with a minimal number of components enabling easy maintenance. We are always keenly aware of new requirements and ideas from our customers. The products are therefore always in continuous progress with improved detail solutions, new materials and further accessories.

## Tapflo quality

The Tapflo pump is usually an essential part in the process with hazardous fluids. We always strive to supply the safest and most environmental friendly solution for these fluids. As a part of our safety thinking, we are in the frontline following important standards, guidelines and directives. Many of our products comply with the EC ATEX directive for equipment in explosion hazardous environments. All our pumps are of course CE marked and followed by our comprehensive instruction manuals. Tapflo is an ISO 9001:2001 certified company. The EHEDG certification of our aseptic diaphragm pump was achieved in 2009.

## The history of Tapflo

Tapflo was founded in Kungälv (north of Gothenburg), Sweden 1980 and has since then been working with design and manufacture of air operated diaphragm pumps. The product range has grown from a few plastic models, to complete PE & PTFE, metal and sanitary series and lately also with complete ranges of centrifugal pumps. Tapflo has now established sales offices in 20 countries and independent distributors in another 30 countries - spare parts and pumps are available worldwide.



## The superior solution for a reliable fluid circulation and transfer

CTV is a single stage vertical centrifugal pump that is simple but very reliable in duty. The pump is specialized for transfer and circulation of various liquids from containers, sumps and tanks. CTV is manufactured from PP (polypropylene), PVDF or stainless steel AISI 316L.



### Leakage free and dry running safe

CTV is installed vertically with the motor above the liquid surface. In this way the pump does not need any mechanical seal that usually is a source for leakage problems. Further on the pump is designed to be dry running safe.

### Nearly maintenance free

The simple design without bearings or mechanical seals grants for a pump that is usually maintenance free. CTV is also insensitive of solids, up to 2 mm are allowed (depending of pump size).

### Replacing self priming pumps

In many installations the CTV pump replaces a self priming pump. The pump head of the CTV is submersed in the liquid. The pump operates more reliable compared with a self priming pump. The submersion depth is 419-425 mm (depending on model) but may also be equipped with a suction extension.



CTV pumps are successfully used in various applications in today's industries. Below are some examples.

### Surface treatment

Transfer and return pumping in galvanizing, hot zinc, pickling and oxidation processes

### Water treatment

Transfer and return pumping

### Heat exchangers

Return pumping in heat exchangers

### Waste disposal

Emptying sumps



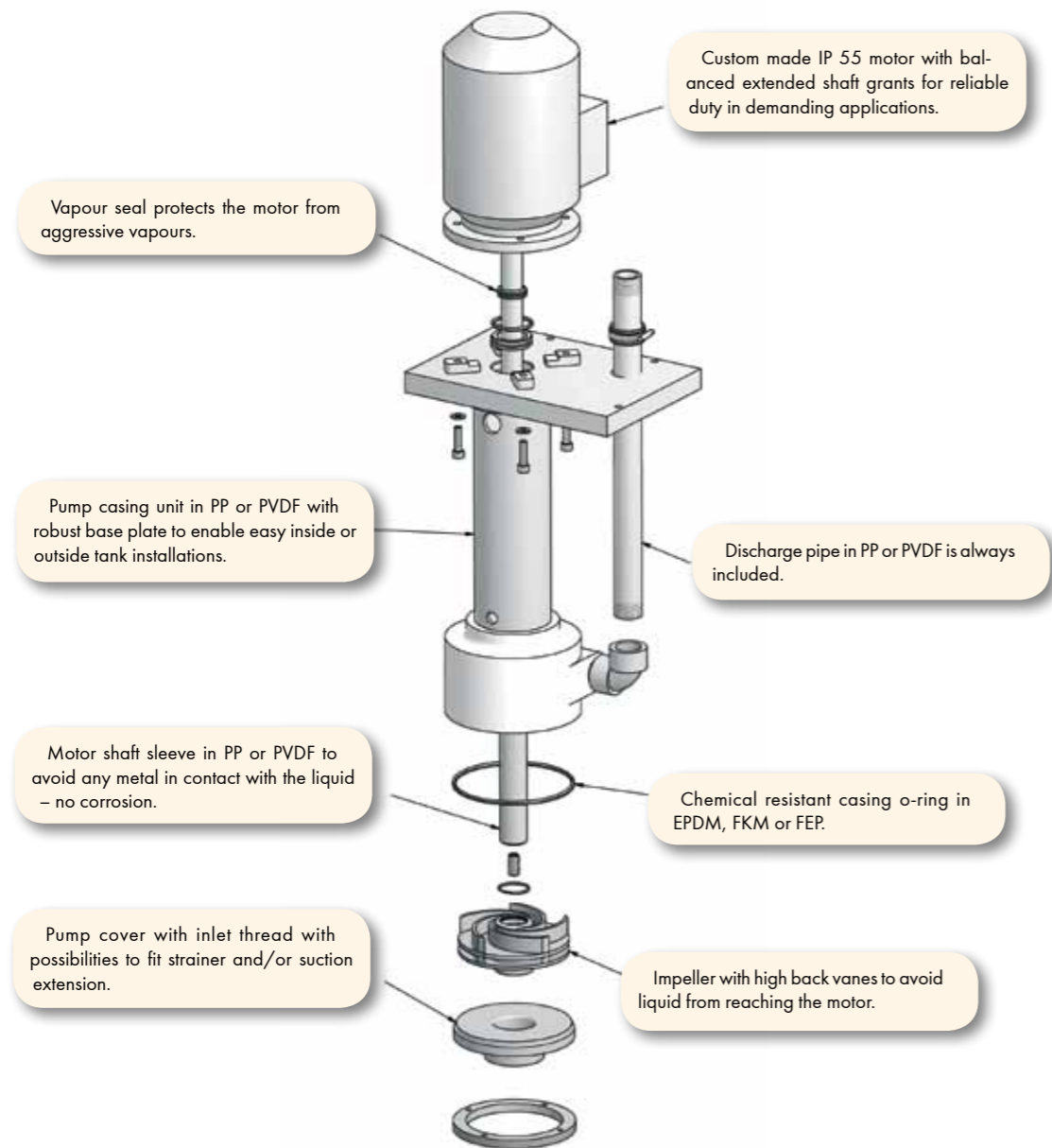
CTV is commonly installed in surface treatment baths, circulating through filter and further to nozzle ramps.



CTV 25-9:	10.2 m <sup>3</sup> /h
CTV 25-10:	13.2 m <sup>3</sup> /h
CTV 25-11:	15.6 m <sup>3</sup> /h
CTV 25-11.5:	18.0 m <sup>3</sup> /h
CTV 32-8.5:	19.8 m <sup>3</sup> /h
CTV 32-10:	24.0 m <sup>3</sup> /h
CTV 32-12.5:	27.0 m <sup>3</sup> /h

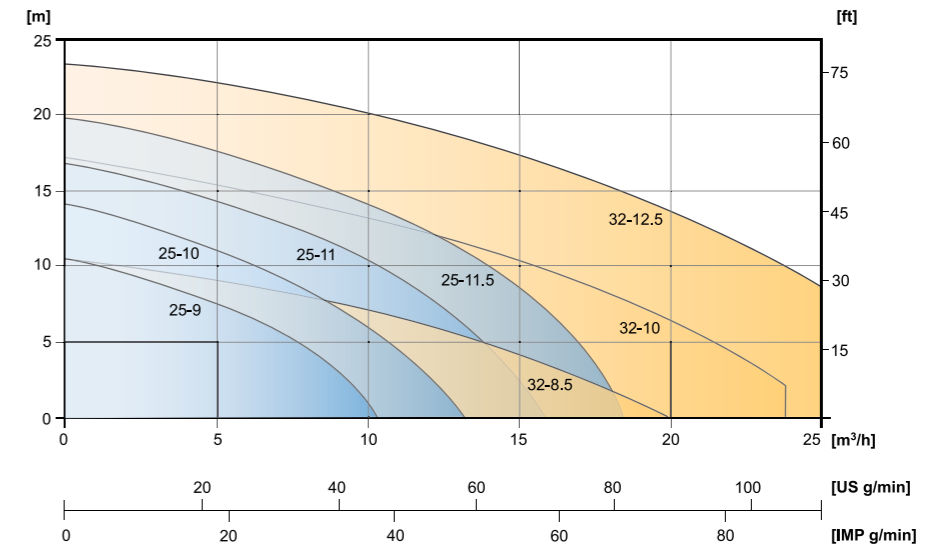
**PP**  
PP (polypropylene) is suitable for most type of chemicals at temperatures up to 70°C. Ideal for pickling baths and acid degrease solutions etc.

**PVDF**  
PVDF (polyvinylidene fluoride) has superior chemical and mechanical features. Ideal with hot acids up to 100°C, for example hot hydrofluoric acid.



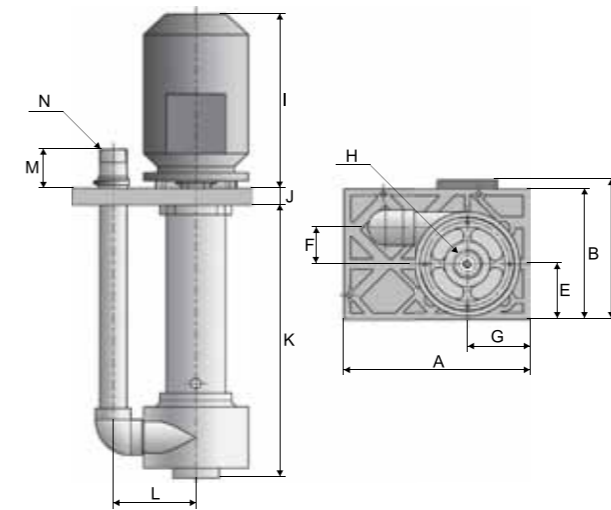
### Performance curves

The performance curves are based on water at 20°C.



### Dimensions and technical data

Dimensions in mm, where other is not indicated



Dimension	CTV 25	CTV 32
A	285	285
B	200	200
E	85	85
F	56	56
G	95	95
H	1"	1 1/4"
J	25	25
K	419	419
L	123	126
M	60	60
Motor power	D	I
0.55 kW	196	213
0.75-2.2 kW	214	267

General characteristics	25-9	25-10	25-11	25-11.5	32-8.5	32-10	32-12.5
Max capacity (m <sup>3</sup> /h)	10.2	13.2	15.6	18.0	19.8	24.0	27.0
Max head (m)	10	14	16	19	10	17	23
Motor power (kW)	0.55	0.75	1.1	1.5	1.1	1.5	2.2
Outlet dimension (male BSP)	1"	1"	1"	1"	1 1/4"	1 1/4"	1 1/4"
Motor data	3-phase, 2-pole (~2900 rpm), 380-420 VAC, 50 Hz, IP 55						
Max temperature	Pump in PP: 70°C, pump in PVDF: 100°C						
Materials							
Pump casing and impeller	PP or PVDF						
Casing o-ring	EPDM, FKM or FEP						

Contact us for detailed curves. Changes reserved without notice



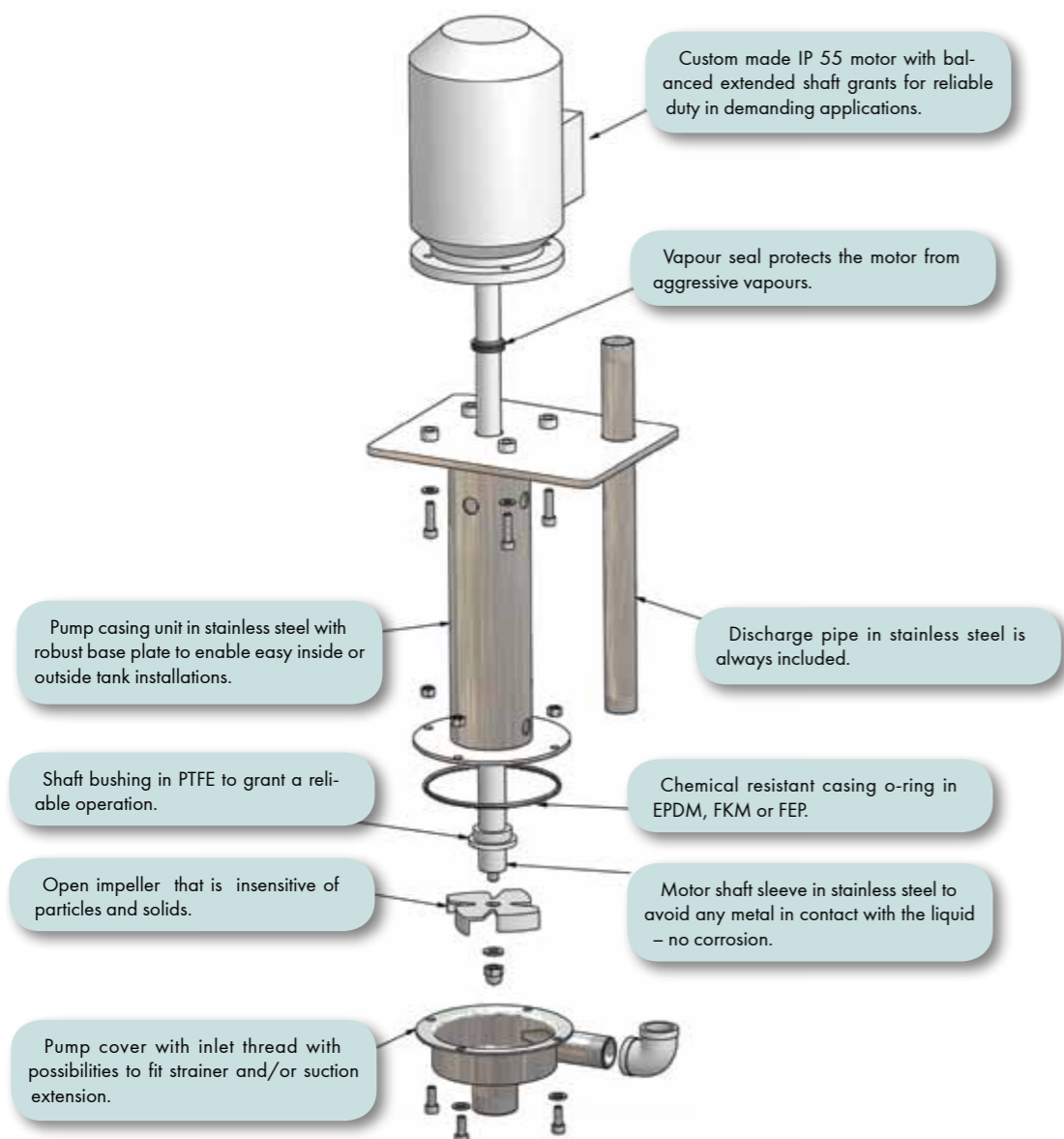
### Stainless steel pumps

The stainless steel version is ideal at higher temperatures, up to 100°C and in special applications like hot sodium hydroxide.

All wetted metal components are made from corrosion resistant stainless steel AISI 316L.

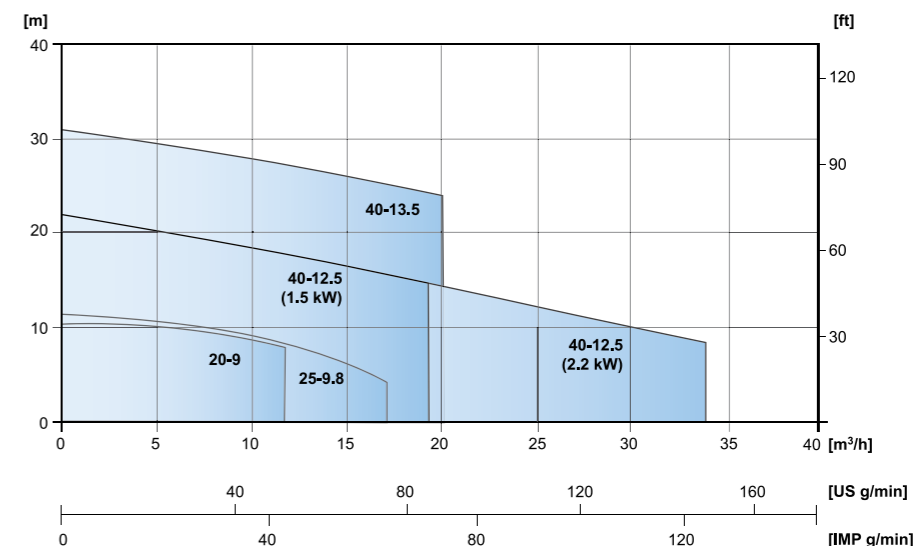
For special applications like handling of chromium nickel, electro polished models are available (pump on left side).

CTV 20-9:	12.0 m <sup>3</sup> /h
CTV 25-9.8:	17.0 m <sup>3</sup> /h
CTV 40-12.5:	34.0 m <sup>3</sup> /h
CTV 40-13.5:	20.0 m <sup>3</sup> /h



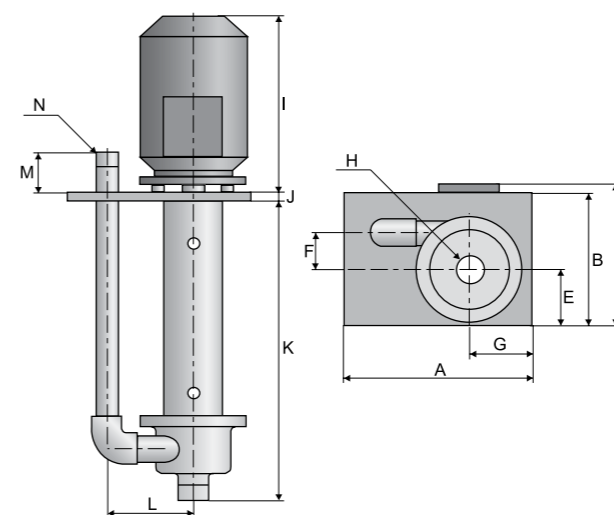
### Performance curves

The performance curves are based on water at 20°C.



### Dimensions and technical data

Dimensions in mm, where other is not indicated



Dimension	CTV 20	CTV 25	CTV 40
A	267	267	267
B	207	207	207
E	102.6	102.6	102.6
F	36	50	66
G	93.5	93.5	93.5
H	1"	1 1/2"	1 1/2"
J	8	8	8
K	420.5	420.5	425
L	113.5	127	139
M	60	60	60
Motor power	D	I	
0.55 kW	214	211	
0.75-2.2 kW	253	265	

General characteristics	20-9	25-9.8	25-9.8	40-12.5	40-12.5	40-13.5
Max capacity (m <sup>3</sup> /h)	12.0	17.0	17.0	19	34	20
Max head (m)	10	11	11	22	22	31
Motor power (kW)	0.55	0.75	1.1	1.5	2.2	2.2
Outlet dimension (male BSP)	3/4"	1"	1"	1 1/2"	1 1/2"	1 1/2"
Motor data	3-phase, 2-pole (~2900 rpm), 380-420 VAC, 50 Hz, IP 55					
Max temperature	100°C					
Materials						
Pump casing and impeller	Stainless steel AISI 316L					
Casing o-ring	EPDM, FKM or FEP					



A world map with a blue and yellow color scheme. The Tapflo logo is at the top center. A white dot on the Swedish coast is labeled 'Kungälv'. The map of India is highlighted in a lighter blue color.

tapflo®

Kungälv ●

**Tapflo Fluid  
Handling India  
Private Limited**

Office No 207, Amar Neptune,  
Baner, Pune 411045, INDIA  
Phone : +91 20 65000215  
E-mail: [ad@tapflo.in](mailto:ad@tapflo.in)  
Web: [www.tapflo.in](http://www.tapflo.in)

**The perfect choice for your pumping needs**